

standard design

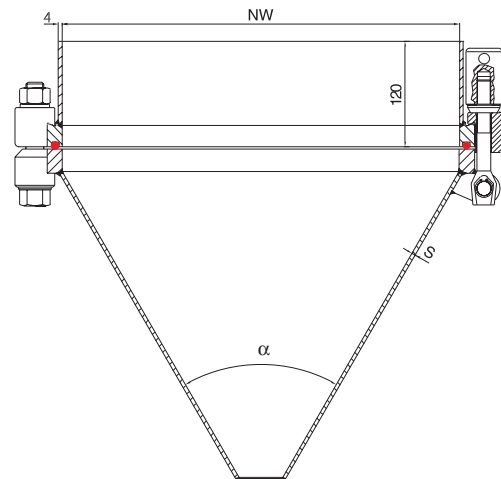
- wetted material: ASTM SA-240 316LSS; non-wetted: 304SS
- with stainless steel blind hole nuts
- silicone seal (blue)
- with swivel feature
- neck height 4.75" (120 mm), neck thickness 4 mm
- outlet diameter Ø 40 mm
- surface unground, shot blasted, from size 600 unground, pickled

options

- materials: HC-276, HC-22, HC-2000, Alloy 600, AL6XN Alloy, etc..
- intermediate sizes available
- different opening angles available
- variety of seals materials (p.12 - 13)
- surface finishes (shot blasted, pickled or ground to 500 grit)
- neck length up to 2000 mm, neck thickness up to 20 mm
- cover completely conical
- various handles: t-hole nuts, collar nuts etc. (p.21)
- different nozzle-outlets
- various limit switches
- metal parts in different materials

pressure cone cover

up to 6/-1 bar overpressure



model #	size (NW)/α	max. allowed working pressure in bar	max. allowed temperature in ° C	number of screws M16	overall height	cone thickness S	weight in kg
230 060	300 / 60°	6	100	4	385	4	20
230 090	300 / 90°	6	100	4	275	4	20
240 060	400 / 60°	6	100	6	470	4	28
240 090	400 / 90°	6	100	6	325	4	28
245 060	450 / 60°	6	100	6	520	4	30
245 090	450 / 90°	6	100	6	350	4	30
250 060	500 / 60°	6	100	10	560	4	37
250 090	500 / 90°	6	100	10	375	4	37
260 060	600 / 60°	6	100	12	645	5	46
260 090	600 / 90°	6	100	12	425	5	46

Archon Industries, Inc. tel: (845) 368-3600
 357 Spook Rock Road fax: (845) 368-3040
 Suffern, NY 10901
 USA info@ARCHONind.com