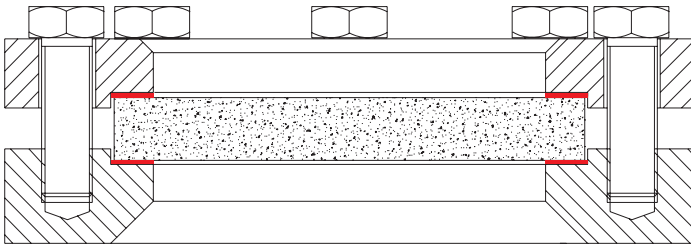


## standard design

- wetted material: ASTM SA-240 316LSS; non-wetted: 304SS
- with studs and hex nuts
- with non asbestos gaskets
- with tempered borosilicate glass

## options

- materials: HC-276, HC-22, HC-2000, Alloy 600, AL6XN Alloy, etc..
- various technical standards
- different lens materials (tempered soda lime, quartz, vicor, plastic, etc..)
- variety of seals materials



## sight glass

## weld pad type



model #	size mm (NW)	weight in kg	glass pane mm
KB 50 - 3"	50	5.5	Ø 100 x 15
KB 80 - 4"	80	6.0	Ø 125 x 15
KB 100 - 5"	100	11.0	Ø 150 x 20
KB 125 - 6"	125	14.0	Ø 175 x 20
KB 150 - 7"	150	21.0	Ø 200 x 20
KB 200 - 9"	200	32.0	Ø 250 x 25

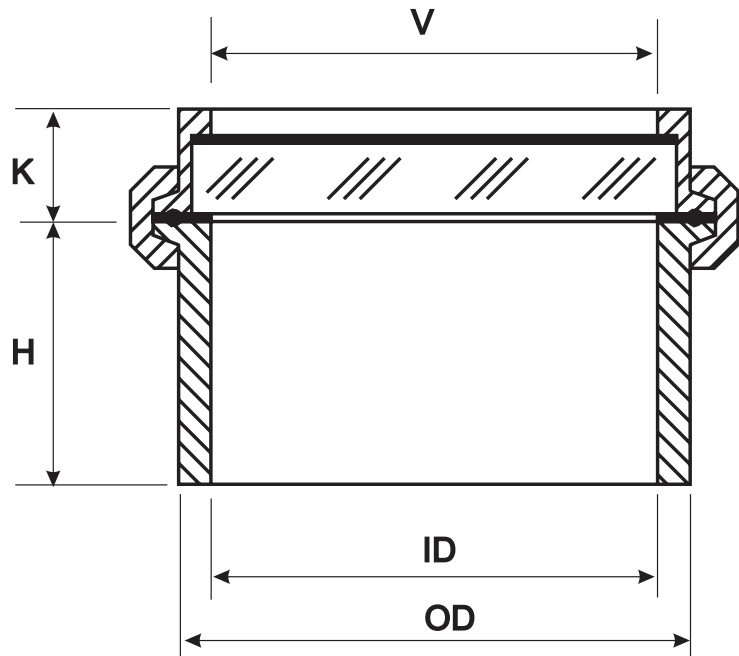
## optional features

Ex-99 - Explosion Proof - UL approved light.  
 KA100 Light - Non hazardous stainless steel light.  
 HL Light - Non hazardous aluminium housing light.  
 Window Wipers

**Archon Industries, Inc.** tel: (845) 368-3600  
 357 Spook Rock Road fax: (845) 368-3040  
 Suffern, NY 10901  
 USA info@ARCHONind.com

# sanitary clamp-on sightglasses

## model SS-TC



model #	size	V	OD	ID	H	K
SS/TC-1"	1"	7/8"	1.19"	0.87"	2.50"	-
SS/TC-1 1/2"	1-1/2"	1-1/8"	1.69"	1.37"	1.25"	3/4"
SS/TC-2"	2"	1-9/16"	2.23"	1.87"	1.25"	3/4"
SS/TC-2 1/2"	2-1/2"	2-1/16"	2.77"	2.37"	1.75"	3/4"
SS/TC-3"	3"	2-9/16"	3.31"	2.84"	1.25"	3/4"
SS/TC-4"	4"	3-9/16"	4.35"	3.84"	1.25"	3/4"
SS/TC-6"	6"	5-1/8"	6.50"	5.78"	1.75"	13/16"
SS/TC-8"	8"	7-5/16"	8.63"	7.78"	2.00"	7/8"

\*Dimensions of lower ferrule are for ASME Heavy Wall Ferrules, other ferrules are available

### Options:

- available with or without weld ferrule
- clamp-on light
- window wiper
- different weld ferrule materials (304L SS, hastelloy, etc..)
- different weld ferrules types (L 14 AM7, 14 MPW, etc..)
- longer neck weld ferrules

Archon Industries, Inc. tel: (845) 368-3600  
 357 Spook Rock Road fax: (845) 368-3040  
 Suffern, NY 10901  
 USA info@ARCHONind.com

## standard design

Model KA100 is a small, efficient, reliable lighting fixture for use in non-hazardous areas in food, dairy and pharmaceutical applications.

- All components are corrosion-resistant; the body and cap are polished 304SS
- All electrical components are housed outside of the vessel pressure boundary
- Unit can be furnished with or without an integral on-off pushbutton switch
- Unit can be furnished with a standard conduit connection or with a gland connector for flexible power cord
- Unit is available in either of 2 mounting configurations: **KA100-B** universal bracket mounting, and **KA100-CL** tri-clamp mounting

## application

- **KA100-B:** can be mounted to existing sightglasses provided by Archon, including Models KB, KBRF, KB-WN, KB-FT, SS, SSTC and some RLG-OB models, as well as those provided by other manufacturers. When used with sightglasses having viewing diameters of 4" and larger, the KA100-B provides exceptional illumination of the vessel interior while permitting clear unobstructed viewing through the same sightglass.
- **KA100-CL:** fits standard 2", 3" and 4" tri-clamp ferrule vessel ports and includes a tempered borosilicate glass lens with a pressure rating consistent with that of the standard tri-clamp pressure rating. The KA100-CL provides exceptional illumination of the vessel interior, without permitting viewing through the port.

## service

- Non-hazardous applications only
- UL listed for 120 volt with integral switch version

## electrical

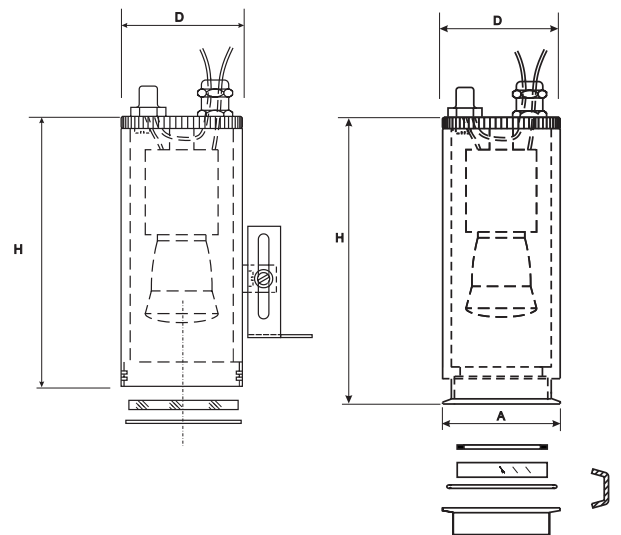
- 120 VAC / 45, 60 and 75 watts
- 220 VAC / 30 and 40 watts
- 24 VDC / 20 watts

Can be custom designed for specific customer features

KA Lighting Unit Dimensions / Rating

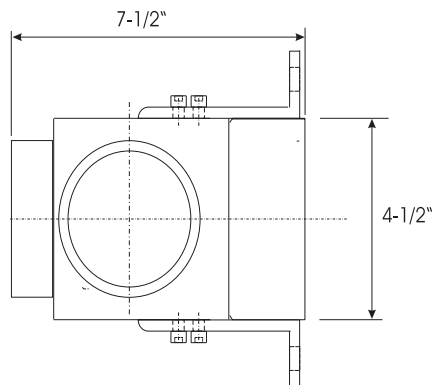
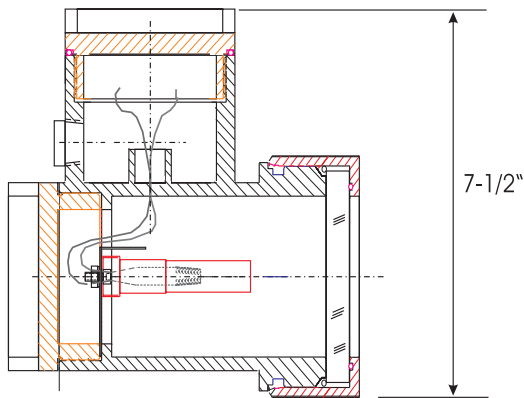
model #	D	A	H	voltage	watts
KA-100-B	2-1/2"	-	5-1/2"	120 AC 220 AC	45, 60, 75 40, 30
KA-100-CL2"	2-1/2"	2-1/2"	6"	120 AC 220 AC	45, 60, 75 40, 30
KA-100-CL3"	2-1/2"	3-5/8"	6-3/4"	120 AC 220 AC	45, 60, 75 40, 30
KA-100-CL4"	2-1/2"	4-5/8"	7"	120 AC 220 AC	45, 60, 75 40, 30

## model KA-100 lighting units



Archon Industries, Inc. tel: (845) 368-3600  
 357 Spook Rock Road fax: (845) 368-3040  
 Suffern, NY 10901  
 USA info@ARCHONind.com

## model Ex99 explosion-proof light



## features

Model EX99 is an efficient and reliable lighting fixture for use in hazardous areas in for illuminating the interior of process vessels.

- all components are corrosion-resistant; the body and caps are black anodized cast aluminum
- all electrical components are housed outside of the vessel pressure boundary
- bulb can be replaced without disturbing the unit
- the body features separate compartments for bulb and for wiring terminals
- angle brackets allow for easy mounting to flanged sightglasses

## application

The EX99 can be used on:

- conventional sightglasses
- sanitary sightglasses
- sight flow indicators
- rectangular and obround sightglasses
- windows in manways and access doors

## rating : UL 844 listed

- This fixture is suitable for use in the following locations as defined by the National Electrical Code:

class	division	groups
1	1	C and D
1	2	C and D

## temperature code

- This fixture is rated for Temperature Code T4A for maximum ambient temperature of 40 degrees

## lamp / electrical data

- Voltage/Wattage: 120 VAC only / 100 Watts  
bulb type: halogen incandescent  
bulb no.: 100Q/CL/DC ESR

## sightglass mounting

- Archon sightglasses that allow lighting and viewing:

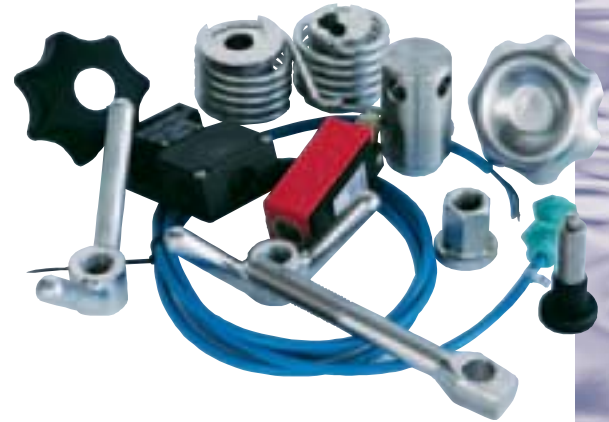
KB100, KB125, KB150, KB200  
KB-RF6", KB-FT6", KB-WN6", KB-RF8", KB-FT8", KB-WN8"

- Archon sightglasses that allow lighting only, no viewing:

KB50, KB80  
KB-RF4", KB-FT4", KB-WN4"  
SSTC-4"

Archon Industries, Inc. tel: (845) 368-3600  
357 Spook Rock Road fax: (845) 368-3040  
Suffern, NY 10901  
USA info@ARCHONind.com

## spare parts and fittings



## screws and various handles

part no.	description	dimension
2200 125	swing pin complete for pressure dome cover	M 16 x 125
2200 135	swing pin complete for pressure dome cover	M 16 x 135
2210	swing pin complete for 1-bar cover (TÜV-approved)	M 16 x 110
3200	swing pin complete for pressureless dome cover	M 12 x 135
3210	swing pin complete for 1-bar cover (non TÜV-approved)	M 12 x 110
2015 125	eye bolt for pressure dome cover	M 16 x 125
2015 135	eye bolt for pressure dome cover	M 16 x 135
2115	eye bolt for 1-bar cover (TÜV-approved)	M 16 x 110
3015 110	eye bolt for 1-bar cover (non TÜV-approved)	M 12 x 110
3015 135	eye bolt for 1-bar cover (non TÜV-approved)	M 12 x 135
2016	plastic handle M 16	M 16
3016	plastic handle M 12 with knurl-disc	M 12
2022	stainless steel handle M 16	M 16
3022	stainless steel handle M 12	M 12
2023	stainless steel t-handle	M 16 / M 12
2031	stainless steel collar nut	M 16 / M 12
2024	stainless steel blind hole nut	M 16

## spare parts, springs assists and locking pins

part no.	description
2025	extra charge for swivel feature for pressure covers
2011	swivel feature for pressure dome cover
2026	wedge for installation on the side of the vessel
2028	single spring assist with torsion springs
2030	single spring assist with disc springs
2028d	double spring assist with torsion springs (> NW 600)
2030d	double spring assist with disc springs (> NW 600)
2029	locking pin with plastic handle
2025k	hinge for pressure dome cover, complete with butt straps and bolt
20251k	hinge for 1-bar cover, complete with butt straps and bolt

**Archon Industries, Inc.** tel: (845) 368-3600  
 357 Spook Rock Road fax: (845) 368-3040  
 Suffern, NY 10901  
 USA info@ARCHONind.com

## safety grill and safety cross



## standard design

- materials: 304 SS
- surface, unground, pickled

### safety grill

part no.	description	size	dimension
30110	stainless steel safety grill	NW 100	wire 4 mm, 20 x 20
31510	stainless steel safety grill	NW 150	wire 4 mm, 20 x 20
32010	stainless steel safety grill	NW 200	wire 4 mm, 20 x 20
32510	stainless steel safety grill	NW 250	wire 4 mm, 20 x 20
33010	stainless steel safety grill	NW 300	wire 4 mm, 20 x 20
33510	stainless steel safety grill	NW 350	wire 4 mm, 20 x 20
34010	stainless steel safety grill	NW 400	wire 4 mm, 20 x 20
34510	stainless steel safety grill	NW 450	wire 4 mm, 20 x 20
35010	stainless steel safety grill	NW 500	wire 4 mm, 20 x 20
36010	stainless steel safety grill	NW 600	wire 4 mm, 20 x 20
37010	stainless steel safety grill	NW 700	wire 4 mm, 20 x 20
38010	stainless steel safety grill	NW 800	wire 4 mm, 20 x 20
39010	stainless steel safety grill	NW 900	wire 4 mm, 20 x 20
31010	stainless steel safety grill	NW 1000	wire 4 mm, 20 x 20

### safety cross

part no.	description	size	dimension
30111	stainless steel safety cross	NW 100	flat steel 30 x 12
31511	stainless steel safety cross	NW 150	flat steel 30 x 12
32011	stainless steel safety cross	NW 200	flat steel 30 x 12
32511	stainless steel safety cross	NW 250	flat steel 30 x 12
33011	stainless steel safety cross	NW 300	flat steel 30 x 12
33511	stainless steel safety cross	NW 350	flat steel 30 x 12
34011	stainless steel safety cross	NW 400	flat steel 30 x 12
34511	stainless steel safety cross	NW 450	flat steel 30 x 12
35011	stainless steel safety cross	NW 500	flat steel 30 x 12
36011	stainless steel safety cross	NW 600	flat steel 30 x 12
37011	stainless steel safety cross	NW 700	flat steel 30 x 12
38011	stainless steel safety cross	NW 800	flat steel 30 x 12
39011	stainless steel safety cross	NW 900	flat steel 30 x 12
31011	stainless steel safety cross	NW 1000	flat steel 30 x 12

Archon Industries, Inc. tel: (845) 368-3600  
 357 Spook Rock Road fax: (845) 368-3040  
 Suffern, NY 10901  
 USA info@ARCHONind.com

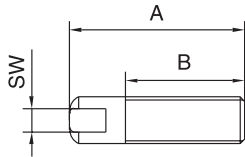
## standard design

- materials: 304 SS
- surface: unground, pickled

## tank feet

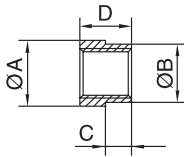


## threaded spindle rolled



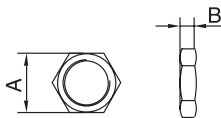
part no.	size	A	B	with across flats	loading capacity	weight in kg (net)
406 00 12	1/2"	100	70	19	4	0.2
406 00 34	3/4"	100	70	22	6	0.4
406 01 00	1"	120	84	26	8	0.7
406 01 14	1 1/4"	150	112	36	15	1.5
406 01 12	1 1/2"	150	112	40	19	1.9

## collar socket



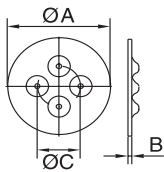
part no.	size	A	B	C	D	weight in kg
416a 012	1/2"	35	29	13	27	0.1
416a 034	3/4"	40	32	14	30	0.2
406a 100	1"	45	38.5	17	35	0.2
406a 114	1 1/4"	56	48.5	19	40	0.3
406a 112	1 1/2"	63	53.5	24	50	0.4

## check nut



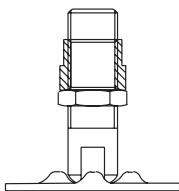
part no.	size	A	B	weight in kg
406b 012	1/2"	32	8	0.1
406b 034	3/4"	36	9	0.2
406b 100	1"	41	11	0.2
406b 114	1 1/4"	50	12	0.2
406b 112	1 1/2"	60	15	0.2

## cup plate with securing dimples



part no.	size	A	B	C	weight in kg
407 123	1"	120	3	32	0.3
407 120	1"	120	5	32	0.4
407 160	1 1/2"	160	8	50	1.2

## complete assembly



part no.	size	dimension of plate	weight in kg
416 012	1/2"	120 x 3 mm	0.7
416 034	3/4"	121 x 3 mm	1.1
406 100	1"	120 x 5 mm	1.5
406 101	1"	160 x 8 mm	2.3
406 114	1 1/4"	161 x 8 mm	3.2
406 112	1 1/2"	162 x 8 mm	3.7

Archon Industries, Inc. tel: (845) 368-3600  
 357 Spook Rock Road fax: (845) 368-3040  
 Suffern, NY 10901  
 USA info@ARCHONind.com