

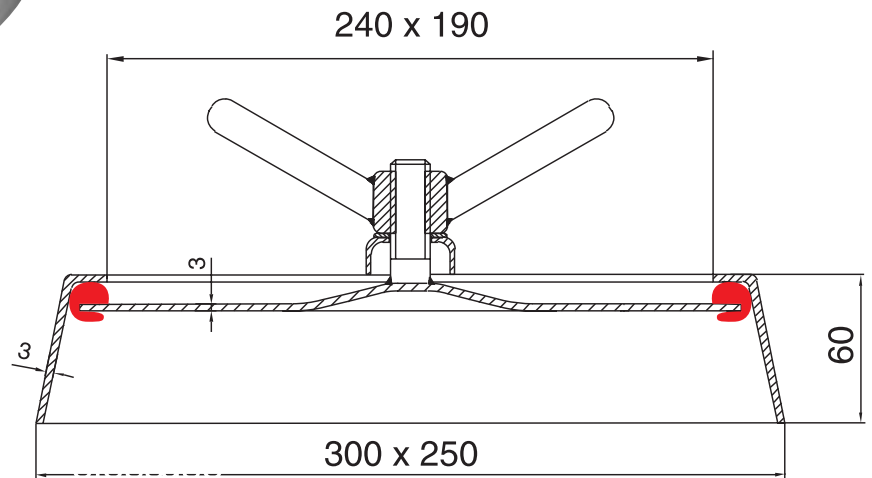
oval handhole-cover

for pressureless use



standard design

- wetted material: ASTM SA-240 316LSS; non-wetted: 304SS
- with stainless steel t-handles
- silicone seal (transparent)
- surface: unground, electropolished



model #	description	weight in kg
110 306	stainless steel oval handhole cover with silicone seal	4
120 306	stainless steel oval handhole cover with EPDM seal	4

seals

part no.	description
321si	silicone seal
321ep	EPDM seal

Archon Industries, Inc. tel: (845) 368-3600
357 Spook Rock Road fax: (845) 368-3040
Suffern, NY 10901
USA info@ARCHONind.com