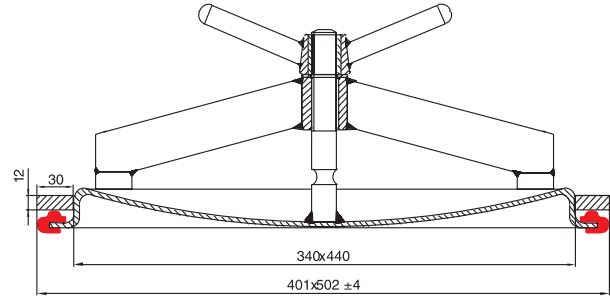


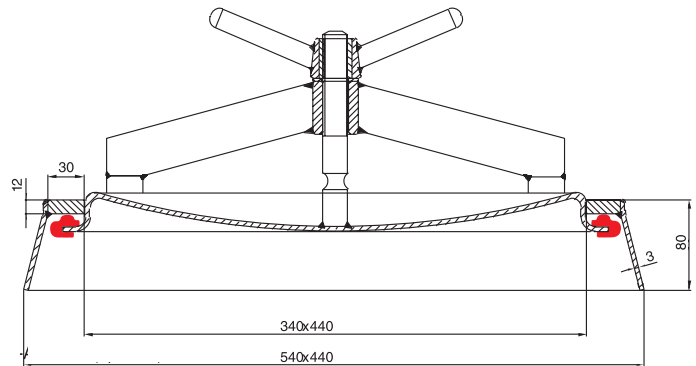
# oval manhole cover 340x440

4 bar @250° C; 5 bar @150° C; 6 bar @50° C

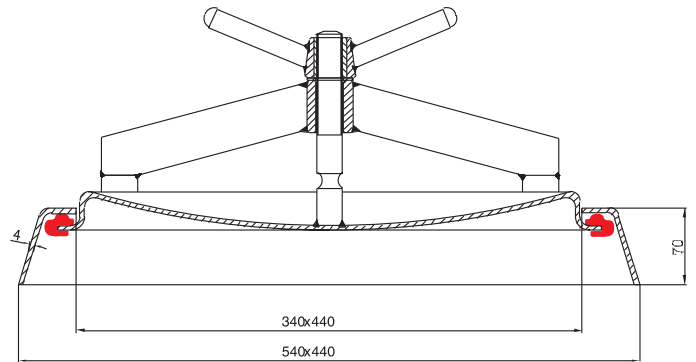
with/without EC type-examination acc to PED 97/23/EG  
with ASME-approval (optional)



picture 1 parts 1-6

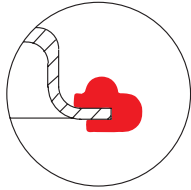


picture 2 parts 1-5 + 10

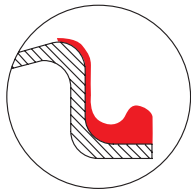


picture 3 parts 1-5 + 11

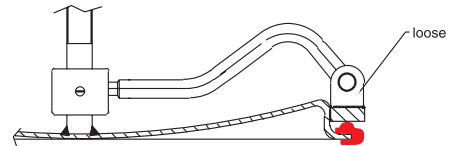
„loose“  
seal detail



vulcanized  
seal detail



swivel feature



picture 4 part 7-9

**Archon Industries, Inc.** tel: (845) 368-3600  
357 Spook Rock Road fax: (845) 368-3040  
Suffern, NY 10901  
USA info@ARCHONind.com

## standard design

- wetted material: ASTM SA-240 316LSS; non-wetted: 304SS
- stainless steel t-handle with brass sleeve and brass washer
- natural rubber seal (dark red)

## oval manhole cover 340x440

4 bar @250° C; 5 bar @150° C; 6 bar @50° C

## with ASME Certification

model #	description	weight in kg
101 406	manway cover (lid: 4 mm thick), with ring 30 x 12 mm without swivel feature (picture 1)	11.7
101 406K	manway cover (lid: 4 mm thick), with neck 3 x 80 mm unground, pickled, without swivel feature (picture 2)	13.0
101 409	manway cover (lid: 4 mm thick), with ring 30 x 12 mm with swivel feature (picture 1+ 4)	12.2
101 409K	manway cover (lid: 4 mm thick), with neck 3 x 80 mm unground, pickled, with swivel feature (picture 2 + 4)	14.0

## without ASME certification

model #	description	weight in kg
100 306	manway cover (lid: 3 mm thick), with ring 30 x 12 mm without swivel feature (picture 1)	11.0
100 306K	manway cover (lid: 3 mm thick), with neck 3 x 80 mm unground, pickled, without swivel feature (picture 2)	12.3
100 306P	manway cover (lid: 3 mm thick), with neck 4 x 70 mm unground, pickled, without swivel feature (picture 3)	12.0
100 309	manway cover (lid: 3 mm thick), with ring 30 x 12 mm with swivel feature (picture 1+ 4)	11.7
100 309K	manway cover (lid: 3 mm thick), with neck 3 x 80 mm unground, pickled, with swivel feature (picture 2 + 4)	14.0
100 309P	manway cover (lid: 3 mm thick), with neck 4 x 70 mm unground, pickled, with swivel feature (picture 3 + 4)	12.7

## seals and spare parts

part no.	seal material	temperature
102 000	natural rubber, food quality (dark red)	70° C / -50° C
102 0si	silicone seal, food quality (light red)	200° C / -60° C
102 0ep	EPDM-seal, food-quality (violet)	120° C / -50° C
102 0pe	perbunan (NBR) seal, food-quality (red)	90° C / -35° C
102 0vi	viton seal, food-quality (brown)	200° C / -15° C

part no.	description	
101 300	stainless steel oval manhole cover 340 x 440 mm	3 mm thick
100 400	including threaded bolt M22 x 170 mm long	4 mm thick
103 022	stainless steel t-handle M16 - M24	
104 340	stainless steel shackle 340 x 440 mm	
106 012	stainless steel ring 30 x 12	
112 312	stainless steel neck (ring 30 x 12), 3 mm thick x 80 mm long	
113 470	stainless steel pressed neck, 4 mm thick x 70 mm long	
107	steel swivel feature	

Archon Industries, Inc. tel: (845) 368-3600  
 357 Spook Rock Road fax: (845) 368-3040  
 Suffern, NY 10901  
 USA info@ARCHONind.com