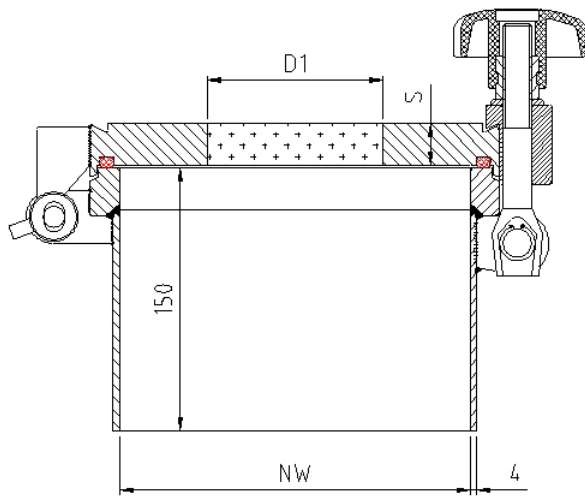


fused glass cover - Meta

up to 10/-1 bar overpressure

with approval acc. to PED 97/23/EG
with ASME approval (optional)



standard design

- wetted material: 316L SS / fused borosilicate glass/ duplex SS
- plastic handle with stainless steel sleeve
- silicone seal (blue)
- with hinge and handle (picture with spring assist as an option)
- neck height incl. flange 6" (150mm), neck thickness 4mm
- surface finish: unground, shot blasted

options

- wetted materials: HC-22, HC-276, HC-2000, Alloy 304 L, 316 LN SS, etc.
- fused glass: Ring: HC-22, HC-276
Glass: quartz glass, sapphire glass
- intermediate sizes possible
- surface finishes: pickled, ground up to 500 grit
- neck length up to 2000mm, neck thickness up to 10mm depending on the diameter
- with conical neck (up to 8mm neck thickness)
- various handles and screws: stainless steel handle, wing-nuts, collar nut, etc. (see p.25)
- cover with swivel feature (see p.25)
- cover with wedge for installation on the side of the vessel (see p.25)
- locking pin (see p.25)
- spring assist (torsion-, disc- or gas-springs) (see p.25)
- various limit switches
- safety grill / safety cross
- non-wetted metal parts in different materials
- wipers and/or lights

advantages

- glass cover is blow-out resistant and shatter resistant
- Seal is built in the cover and is not exposed
- wetted surfaces are easily cleaned
- glass cover is easily replaced

model #	size ID (mm)	max. allowed working pressure in bar	max. allowed working temp in °C	number of screws M16	thickness of flange/glass S1 (mm)	thickness of the neck S2 (mm)	viewing D1 (mm)	weight in kg
221 000 META	100	4 bar	280 °C	4	24	4	60	14
221 012 META	100	12 bar	280 °C	4	24	6	60	15
221 500 META	150	4 bar	280 °C	4	24	4	75	15
221 504 META	150	10 bar	280 °C	4	24	6	75	16
222 000 META	200	4 bar	280 °C	4	24	4	100	19
222 010 META	200	10 bar	280 °C	4	24	6	100	21
222 500 META	250	4 bar	280 °C	4	24	4	125	26
222 508 META	250	8 bar	280 °C	4	24	6	125	28
223 000 META	300	4 bar	280 °C	4	24	4	150	28
223 006 META	300	6 bar	280 °C	6	24	6	150	32

Archon Industries, Inc. tel: (845) 368-3600
357 Spook Rock Road fax: (845) 368-3040
Suffern, NY 10901
USA info@ARCHONind.com