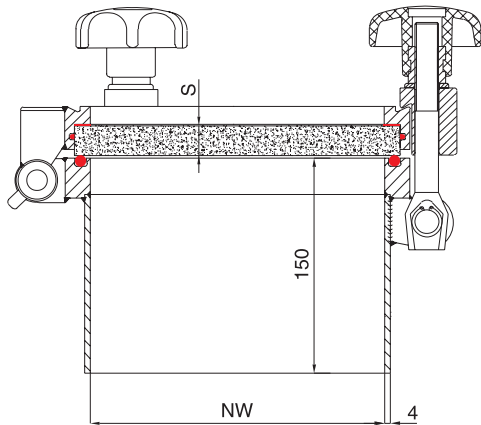


pressure cover with glass pane

up to 12/-1 bar overpressure

with approval acc. to PED 97/23/EG
with ASME-approval (optional)



standard design

- wetted material: ASTM SA-240 316LSS; non-wetted: 304SS
- with tempered borosilicate glass DIN 7080
- stainless steel handles
- silicone seal (blue)
- with hinge and handle
- neck height 6" (150 mm), neck thickness 4 mm
- surface unground shot blasted, from NW 600 unground, pickled

options

- wetted materials: HC-276, HC-22, HC-2000, Alloy 600, AL6XN Alloy, etc..
- intermediate sizes possible
- variety of seal materials (p.12 - 13)
- surface finishes (shot blasted, pickled or ground to 500 grit)
- neck length up to 2000 mm, neck thickness up to 20 mm
- with conical neck (up to 8 mm thickness)
- various handles and screws: stainless steel handle, t-handle, collarnut (p.21)
- cover with swivel feature (p.21)
- cover with wedge for installation on the side of the vessel (p.21)
- locking pin (p.21)
- spring assist (torsion-, disc- or gas-springs) (p.21)
- limit switches
- safety grill and safety cross (p.22)
- non-wetted metal parts in different materials
- with wipers and lights

model #	size (NW)	max. allowed working pressure in bar	max. allowed working temperature in °C	number of screws M16	size of glass pane	weight in kg
221 000	100	4	280	4	125 x 15	13
221 012	100	12	280	4	125 x 20	14
221 500	150	4	280	4	175 x 20	15
222 000	200	4	280	4	225 x 20	18
222 010	200	10	280	4	225 x 25	19
222 500	250	4	280	4	275 x 25	25
222 508	250	8	280	4	275 x 30	26
223 000	300	4	280	4	325 x 30	29
223 006	300	6	280	6	325 x 30	30
223 500	350	4	280	4	375 x 30	34
224 000	400	3	280	4	425 x 30	39
224 500	450	2.5	280	6	475 x 30	43
225 000	500	2	280	6	525 x 30	48
226 000	600	1	280	6	625 x 30	61

Archon Industries, Inc. tel: (845) 368-3600
357 Spook Rock Road fax: (845) 368-3040
Suffern, NY 10901
USA info@ARCHONind.com